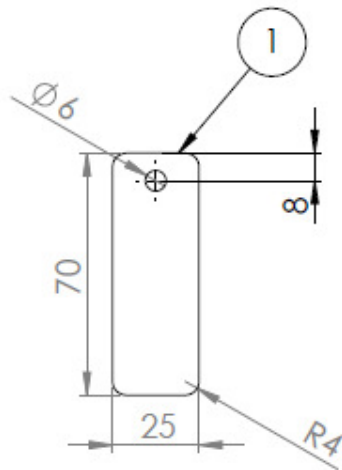
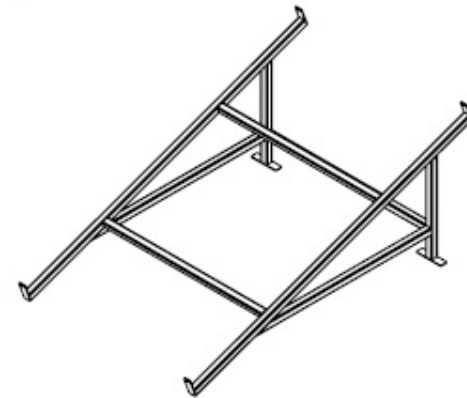
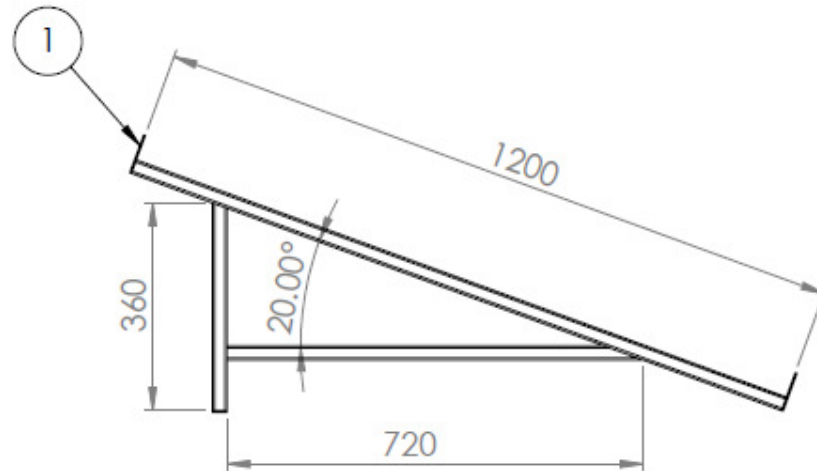


PL 70\*25\*3(x2)



PL 3(x4)

UNLESS OTHERWISE SPECIFIED:  
DIMENSIONS ARE IN MILLIMETERS  
SURFACE FINISH:  
TOLERANCES:  
Linear: +/- 0.5 mm  
Angular: +/- 0.5deg

COMMENTS:

DWG. NO.

CATALOG NO.

REVISION

	NAME	DATE	SIGNATURE
DRAWN			
CHK'D			
APP'V'D			
			FINISH:
			MATERIAL: galv. 25*25 profile
			WEIGHT: 11 Kg. gr.
			QUANTITY:



DETAILS:

NAME

Stand 20 deg.

A4